

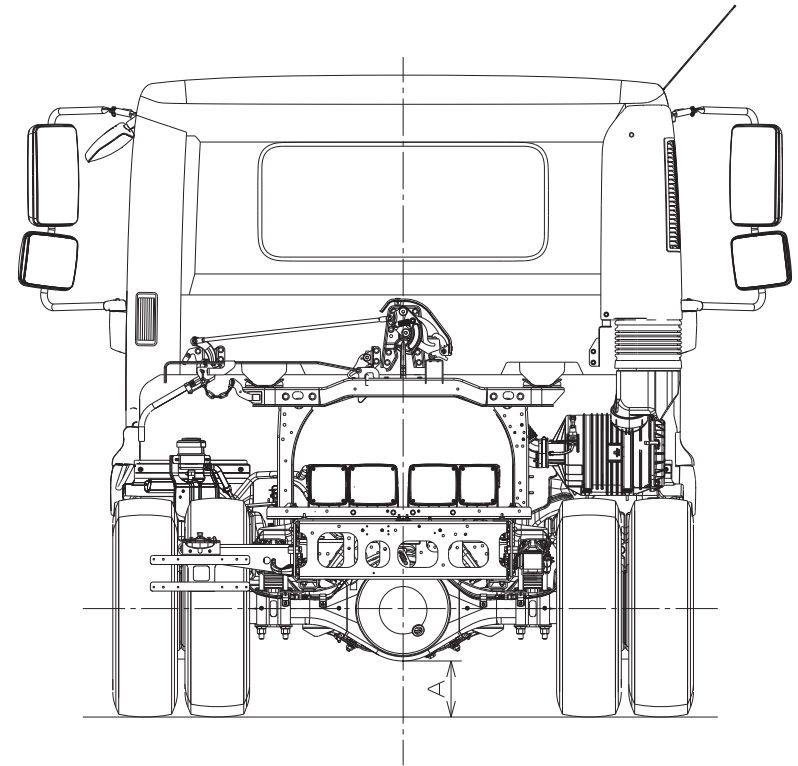
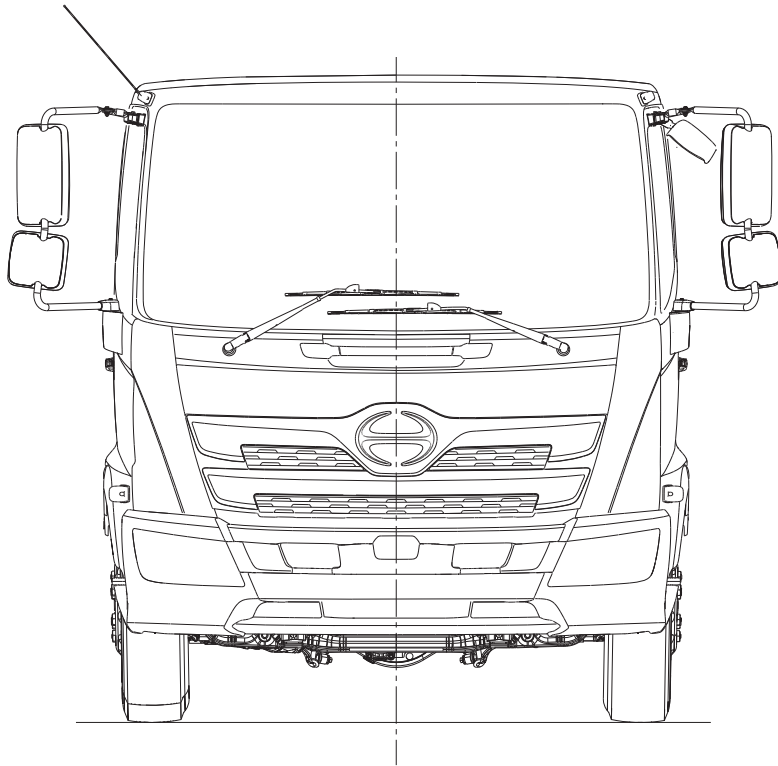
No. C-6

Unit : mm

• Front

• Rear

MODEL	TIRE	A
FE2A	265/70/19.5	200



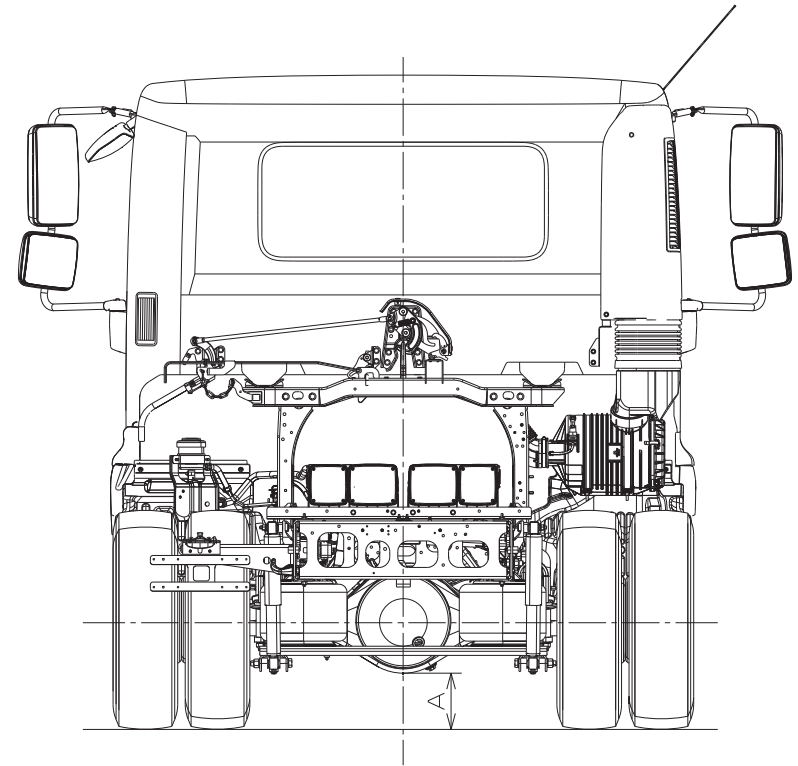
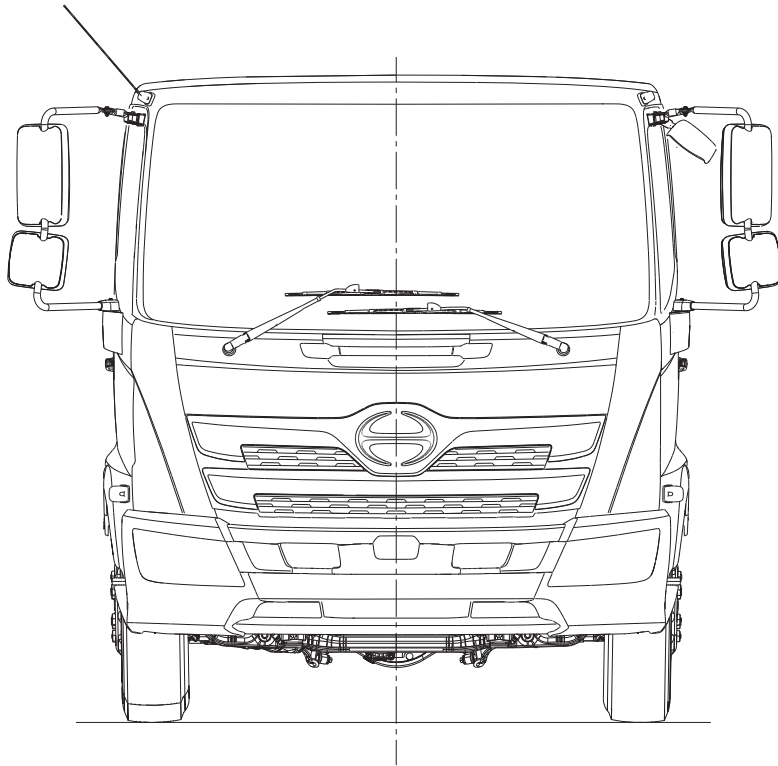
No. C-7

Unit : mm

• Front

• Rear

MODEL	TIRE	A
FE2A	265/70/19.5	200



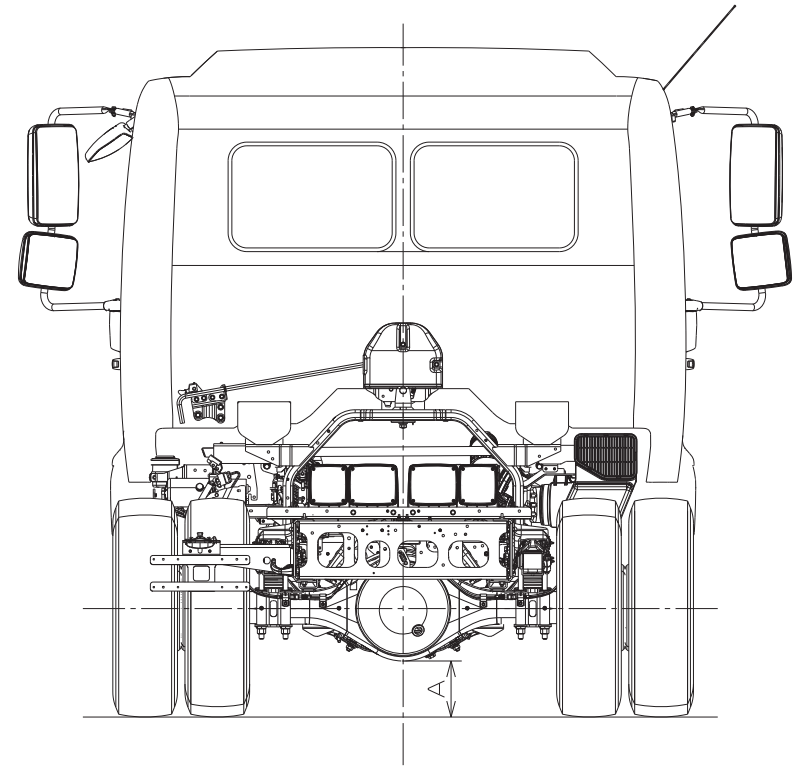
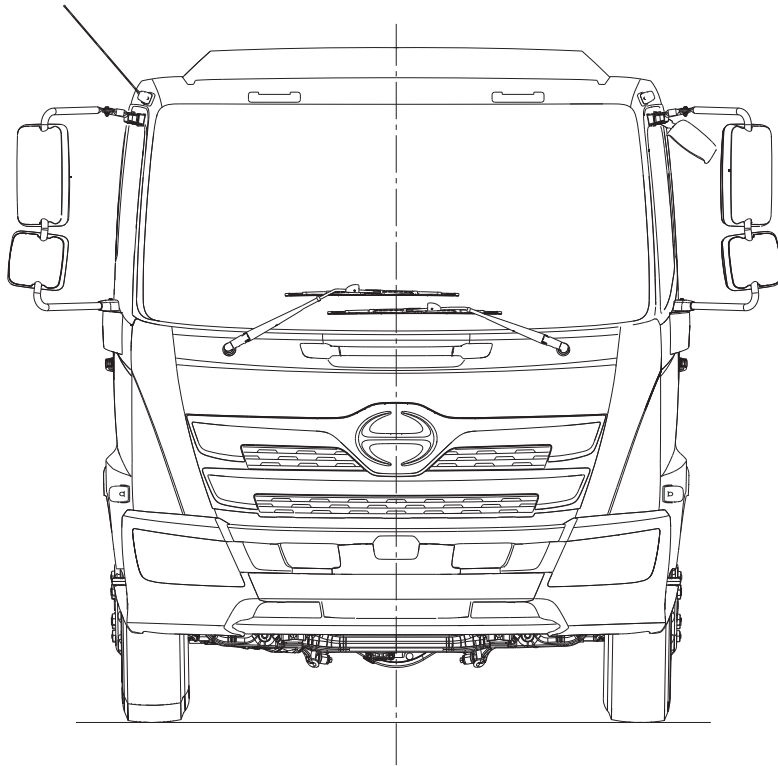
No. C-8

• Front

Unit : mm

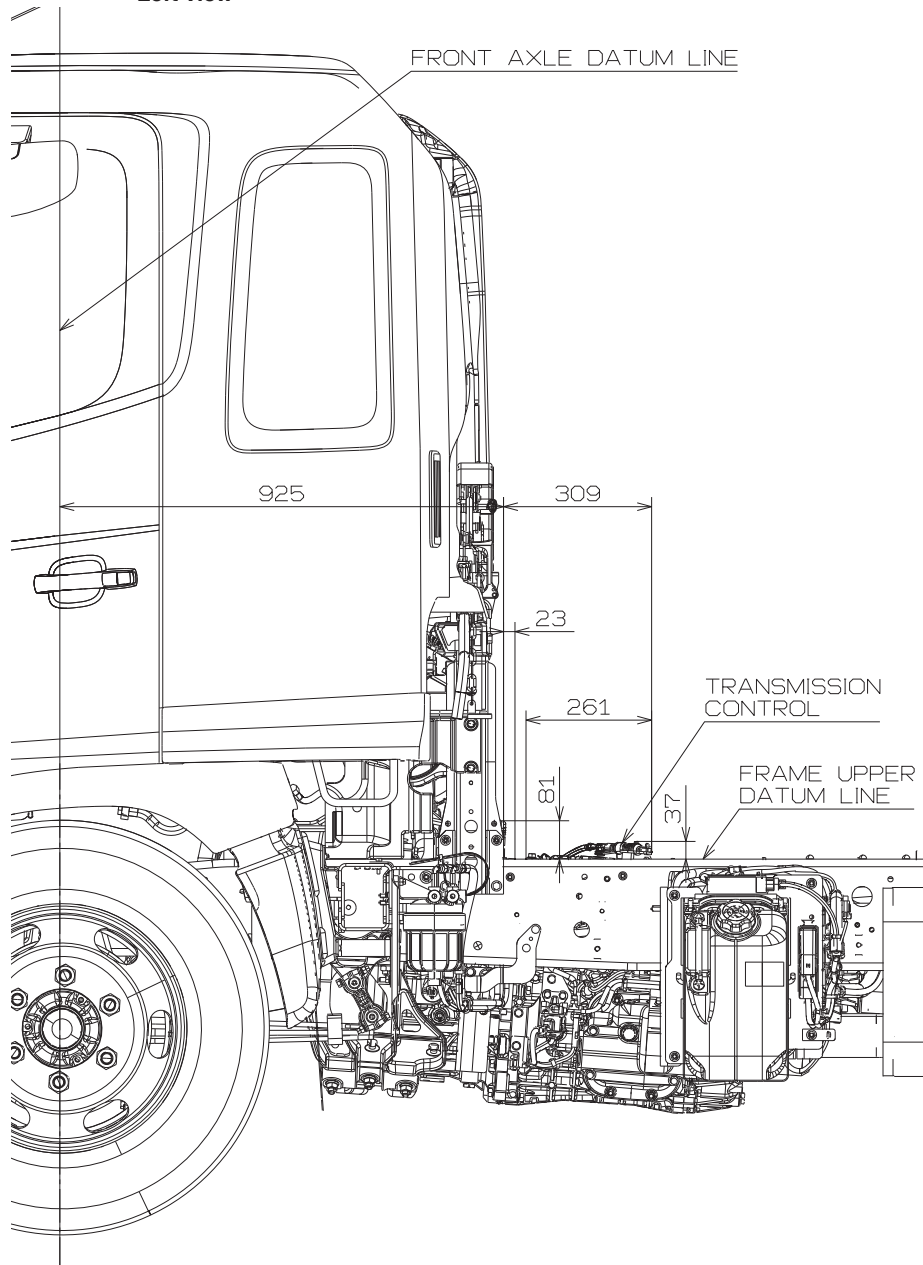
• Rear

MODEL	TIRE	A
FE2A	265/70/19.5	200



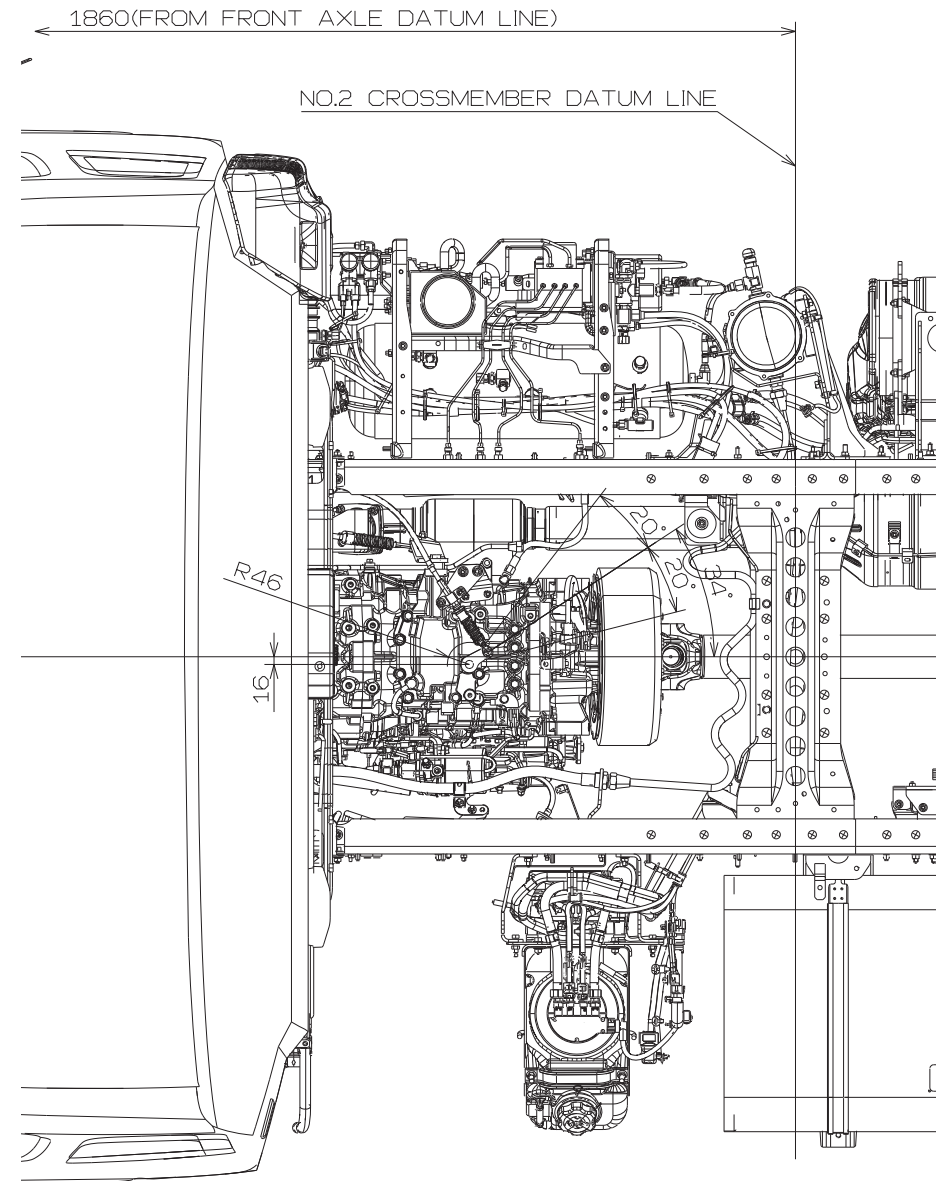
No. CB-7 PRODUCTION CODE : FE2A

• Left view



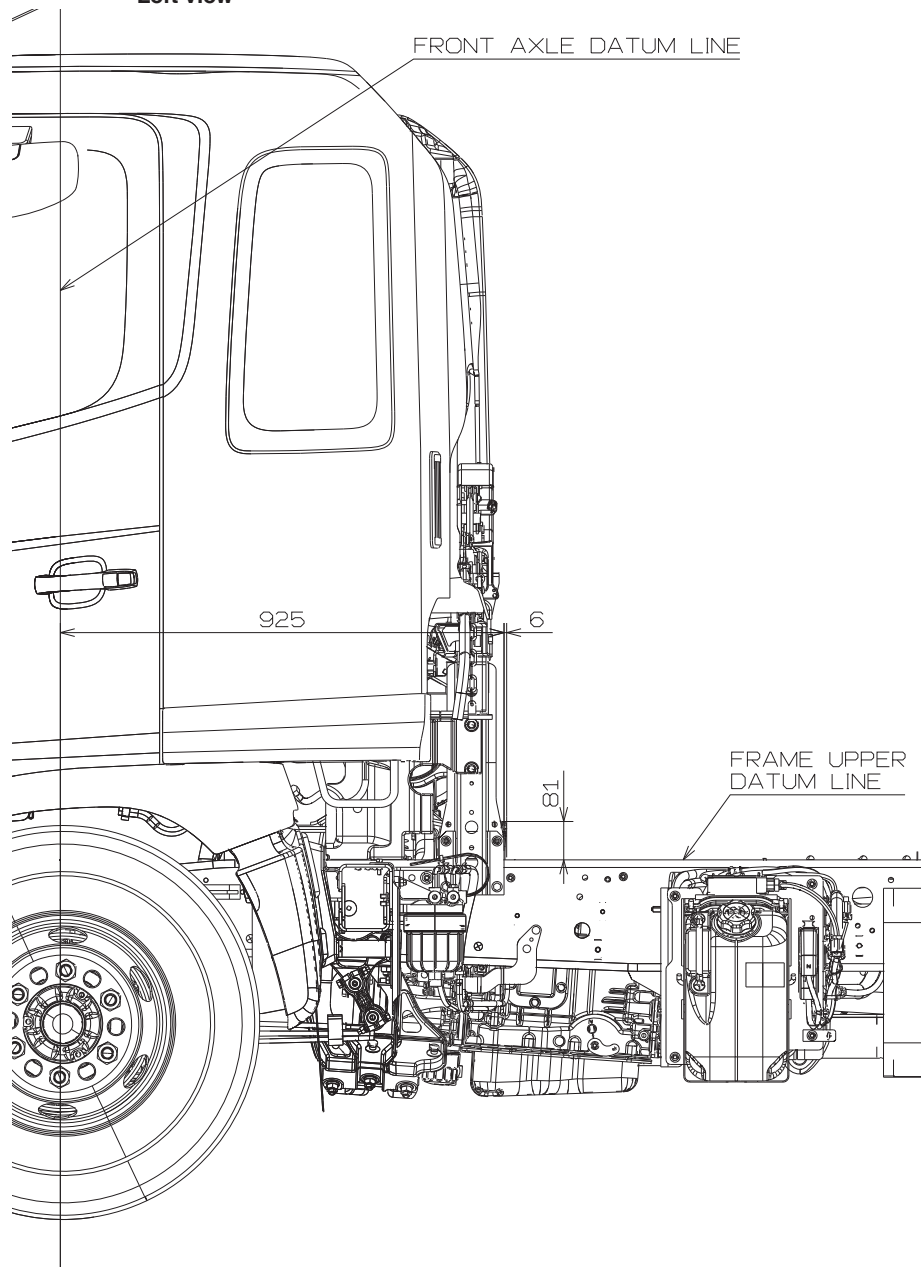
• Upper view

Unit : mm



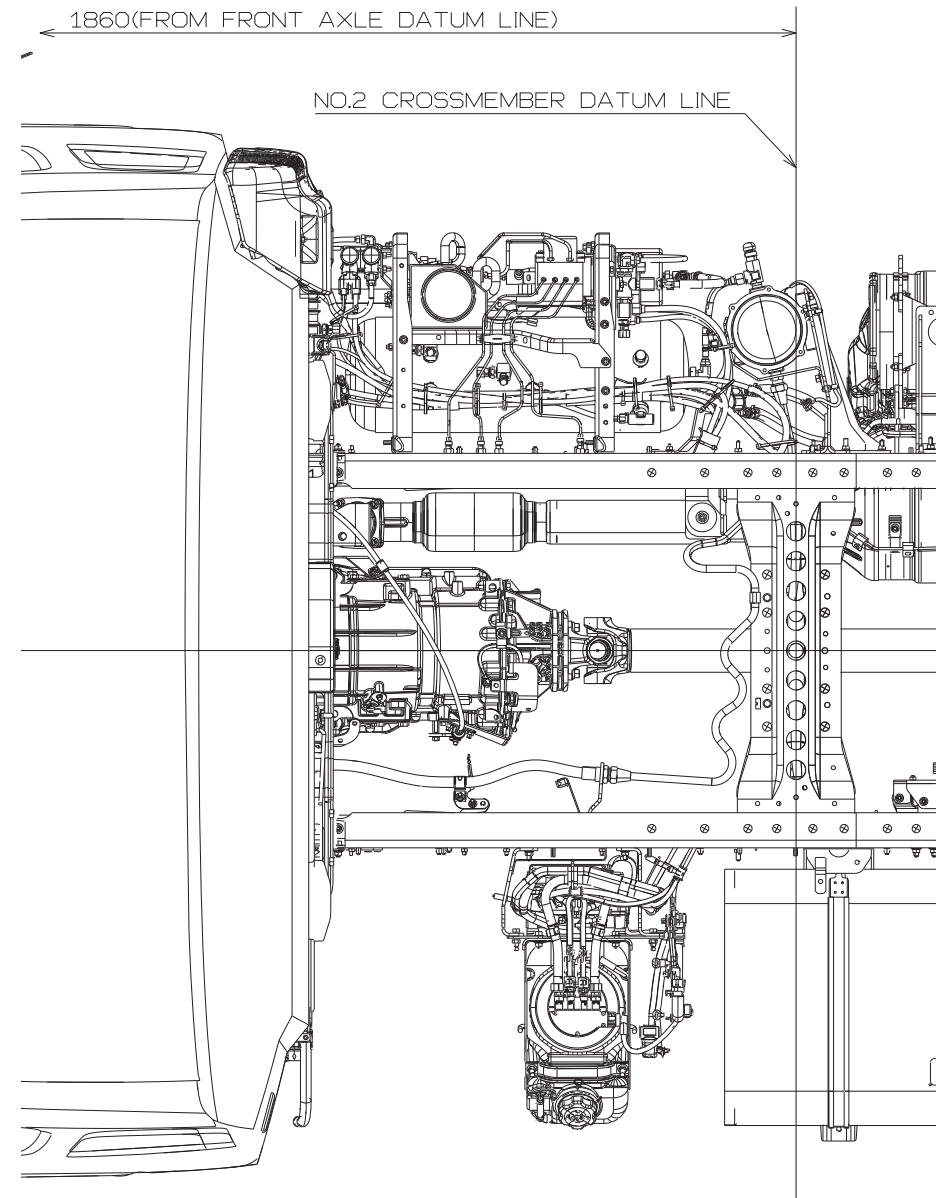
No. CB-8 PRODUCTION CODE : FE2A

• Left view



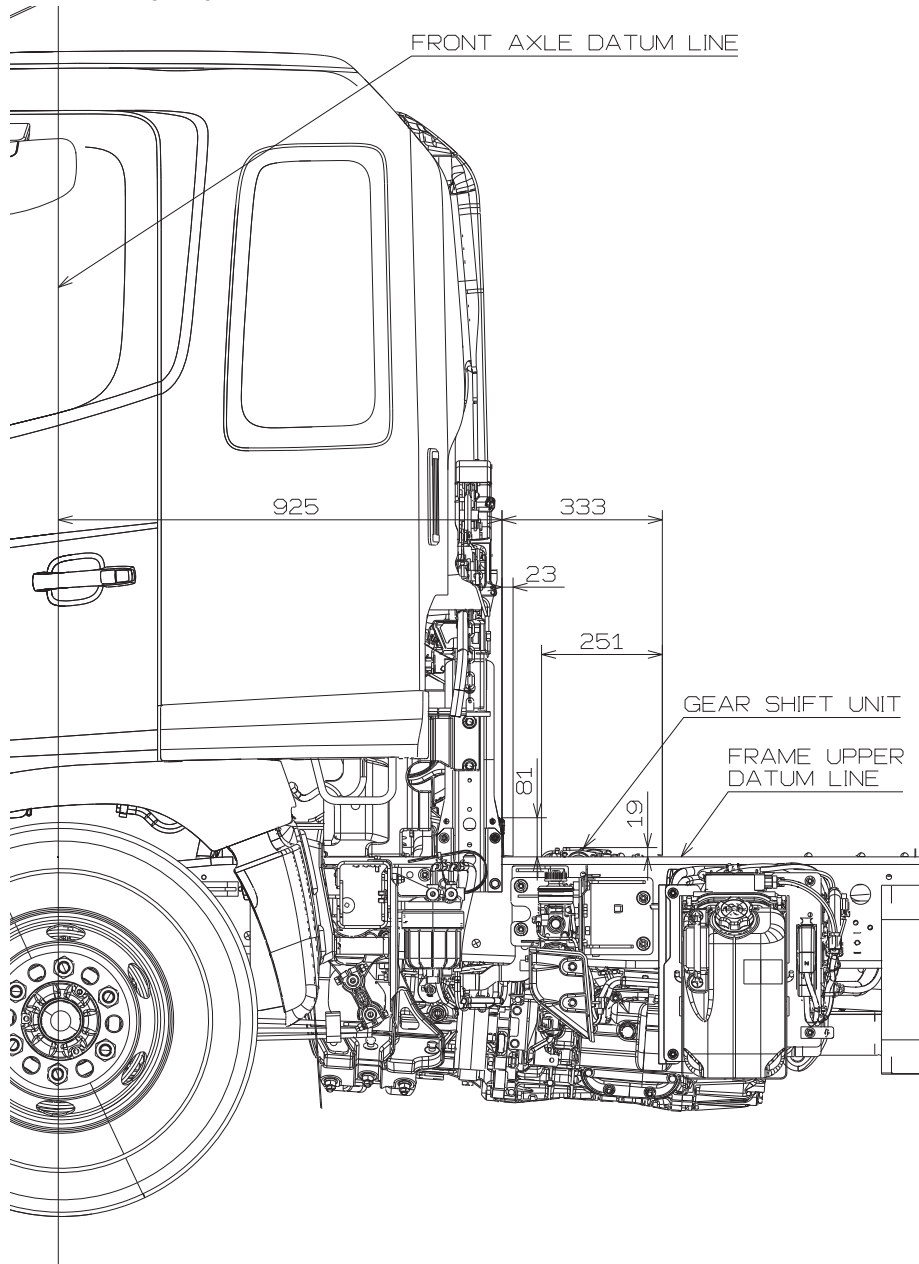
• Upper view

Unit : mm



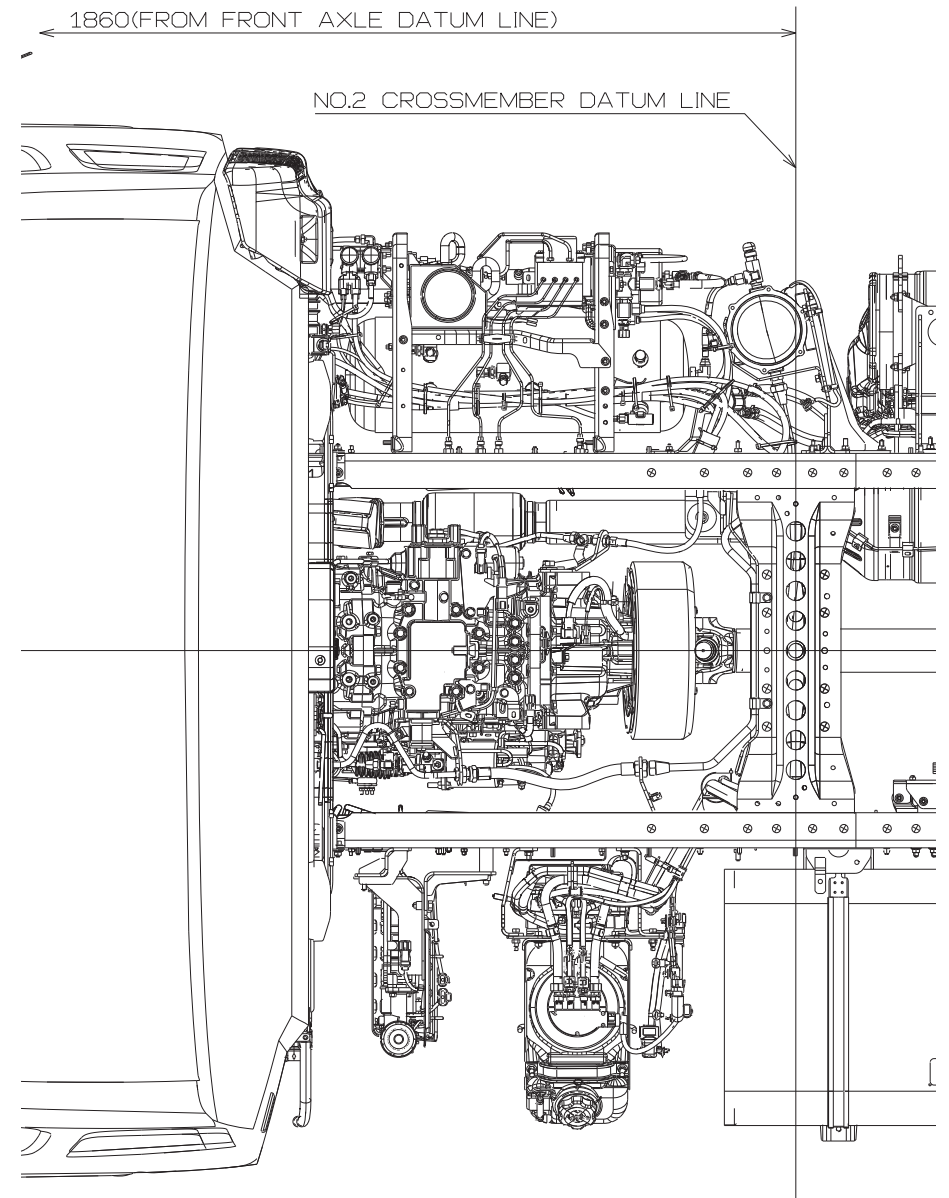
No. CB-9 PRODUCTION CODE : FE2A

• Left view

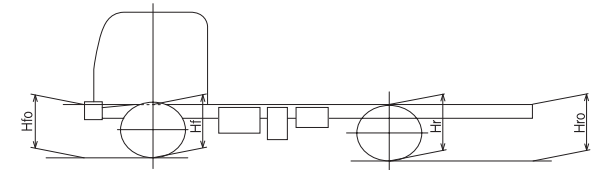
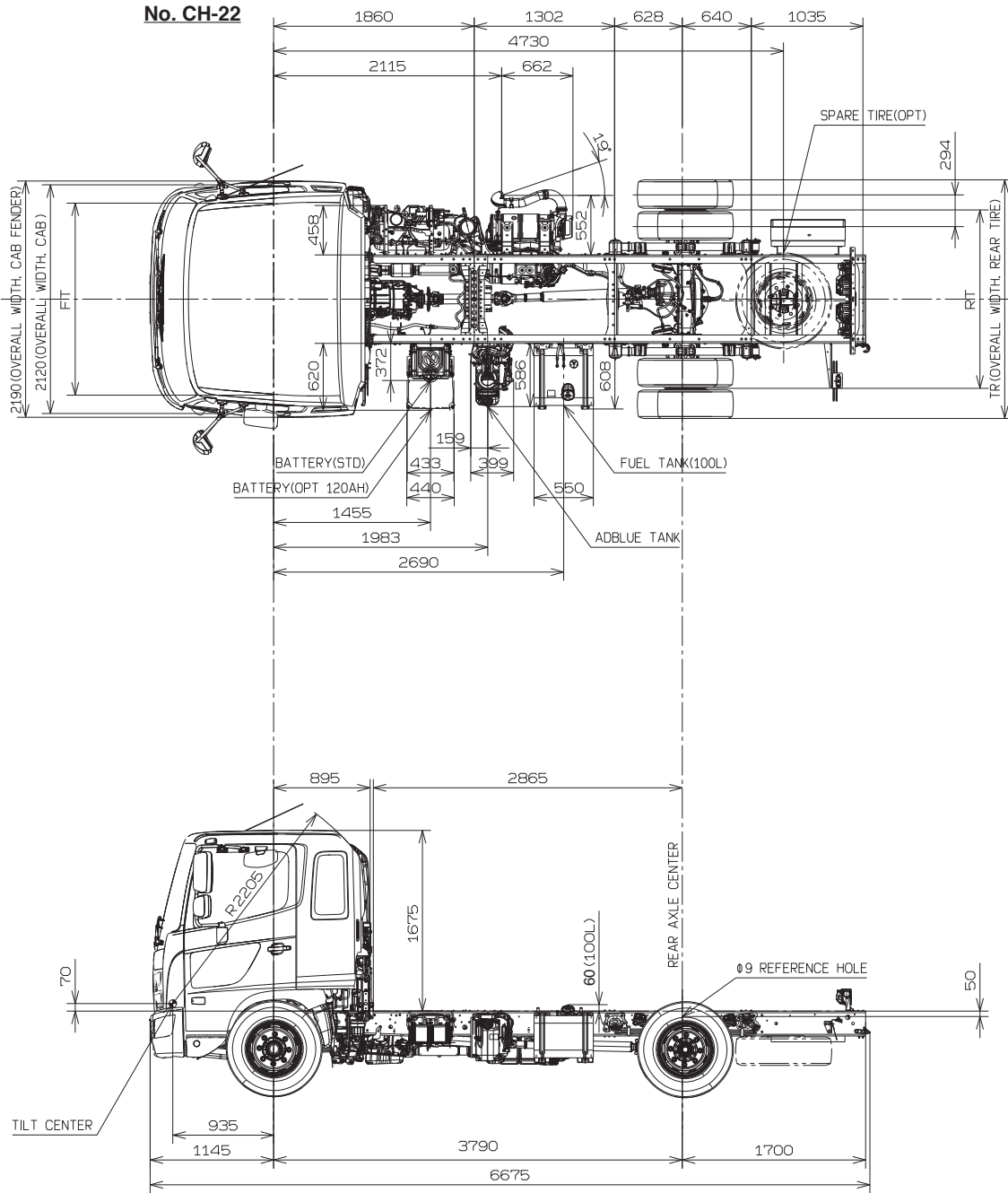


• Upper view

Unit : mm

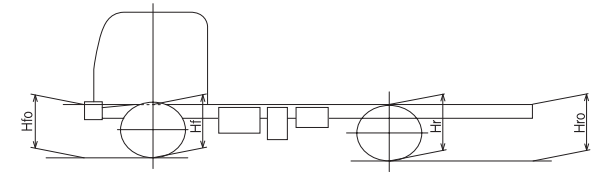
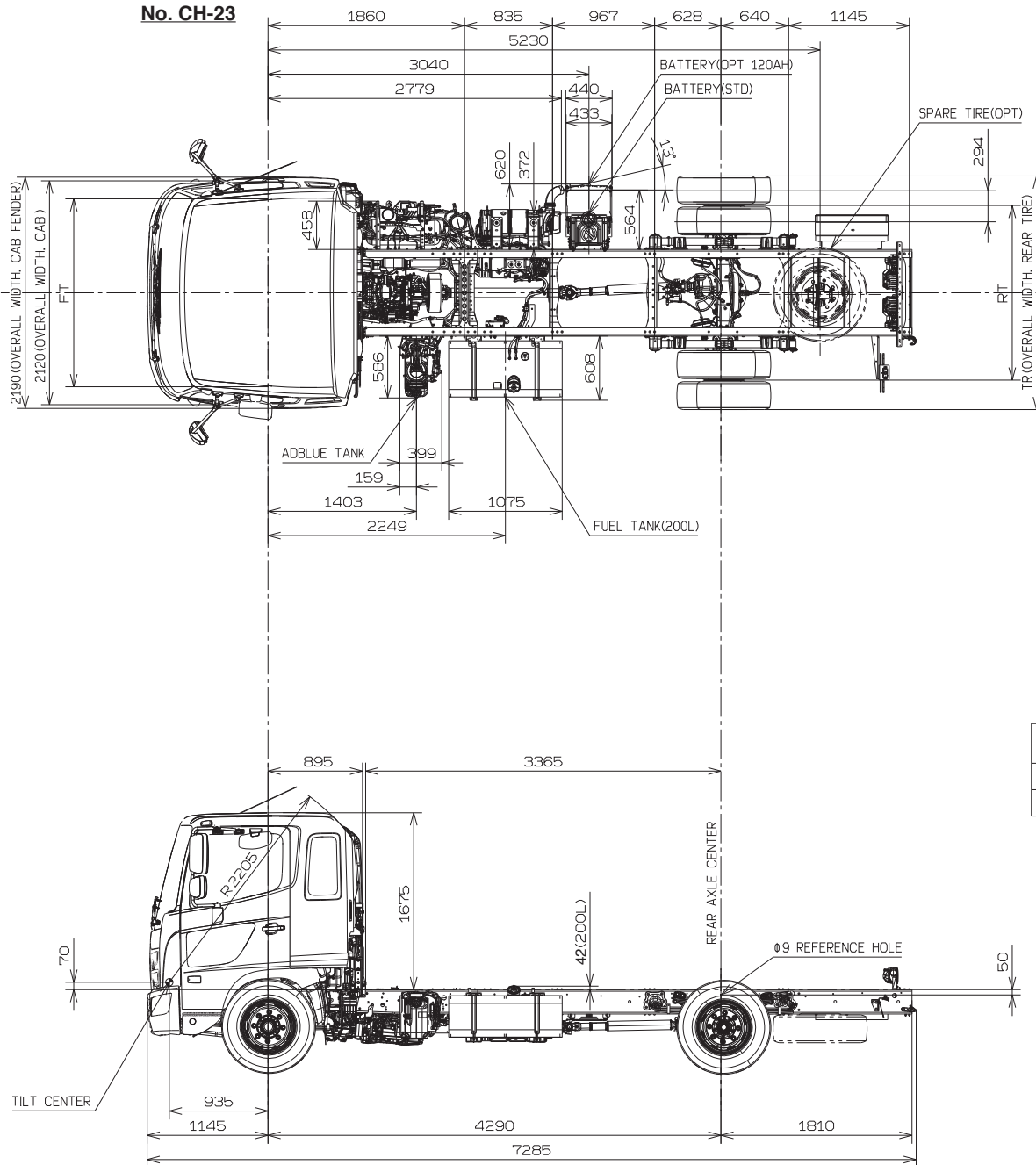


Unit : mm



MODEL	TIRE	WHEEL	GROUND HEIGHT, FRAME UPPER SURFACE				FT	RT	TR
			H10	H1	H2	H3			
FE2AG1A-FXCAE	265/70R19.5 143/141J	19.5X6.75-147	800	825	925	970	1760	1690	2240
		19.5X6.75-147 ALLOY	800	825	925	970	1775	1710	2260

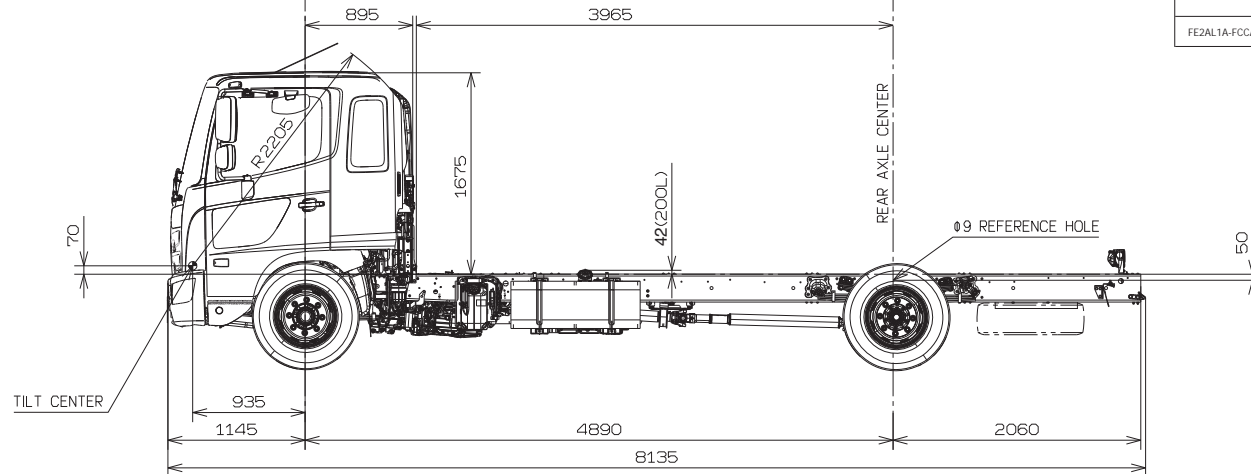
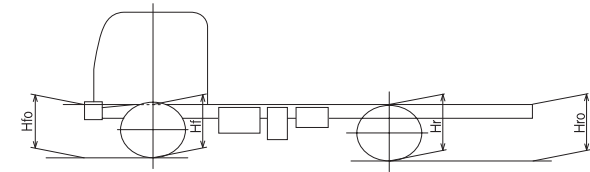
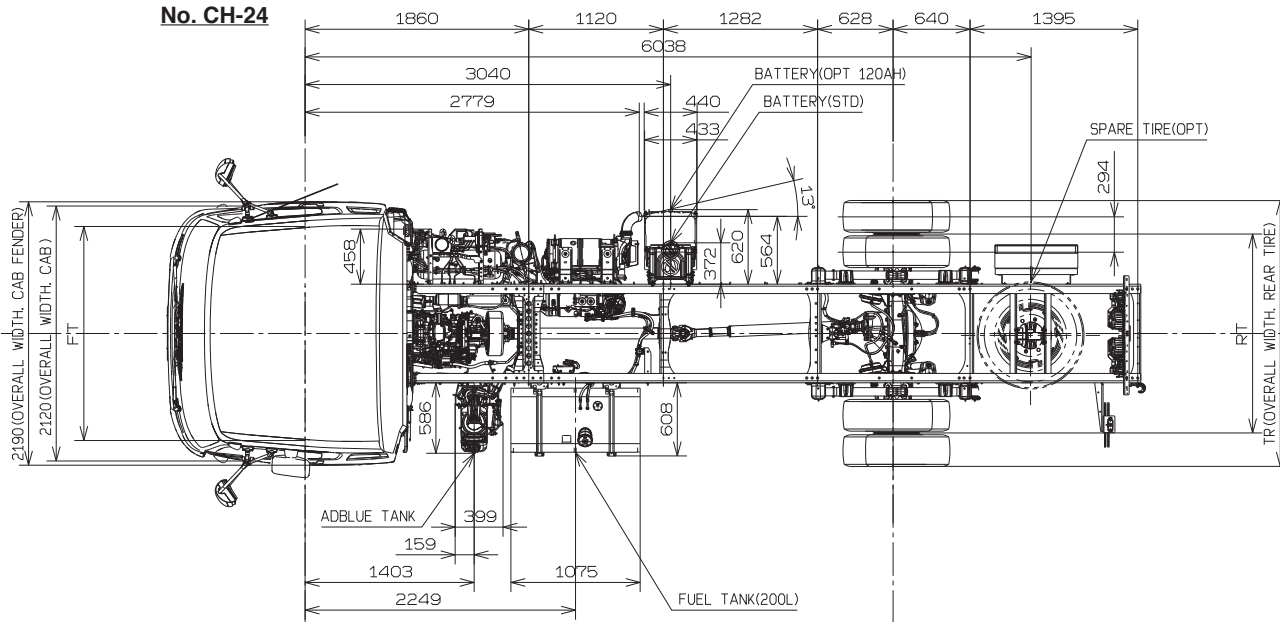
Unit : mm



MODEL	TIRE	WHEEL	GROUND HEIGHT, FRAME UPPER SURFACE				FT	RT	TR
			H10	H1	H2	H3			
FE2AJ1A-FCCAE	265/70R19.5 143/141J	19.5X6.75-147	800	825	925	965	1760	1690	2240
		19.5X6.75-147 ALLOY	800	825	925	965	1775	1710	2260
		19.5X6.75-147	800	825	925	965	1760	1690	2240
FE2AJ1A-FXCAE	265/70R19.5 143/141J	19.5X6.75-147	800	825	925	965	1775	1710	2260
		19.5X6.75-147 ALLOY	800	825	925	965	1775	1710	2260

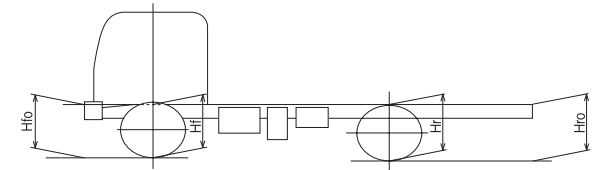
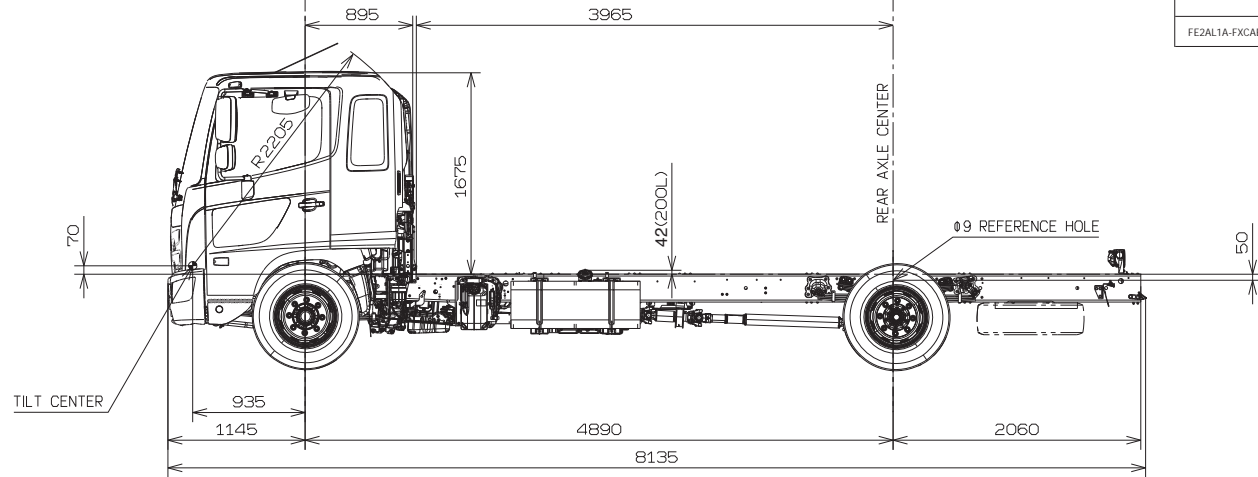
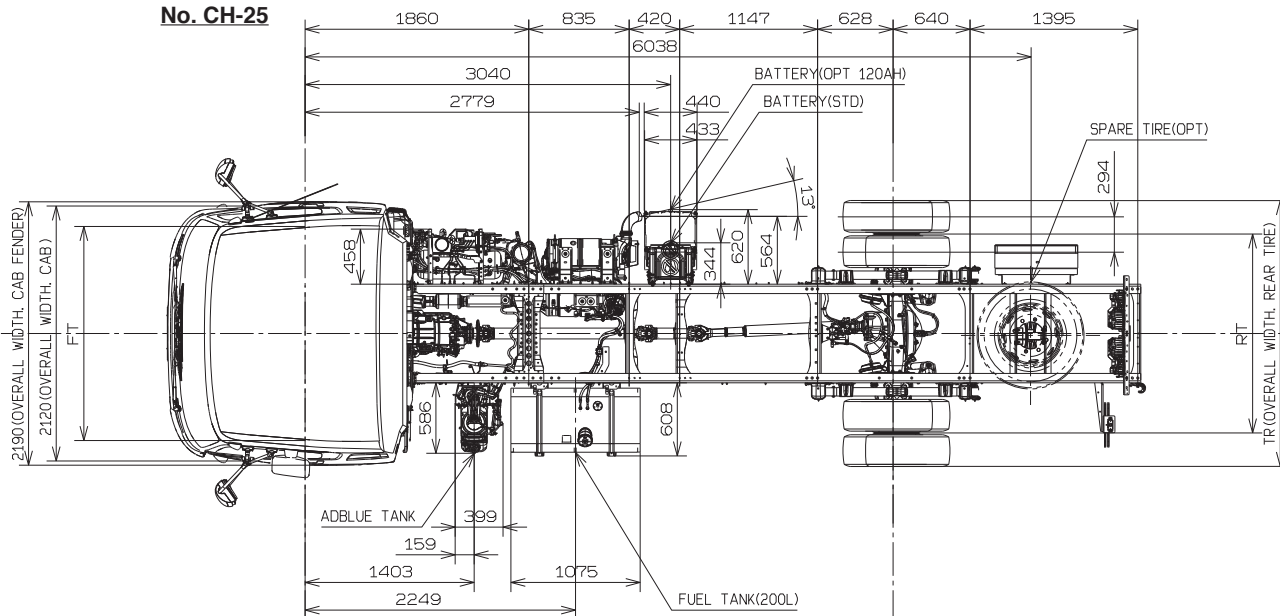


Unit : mm



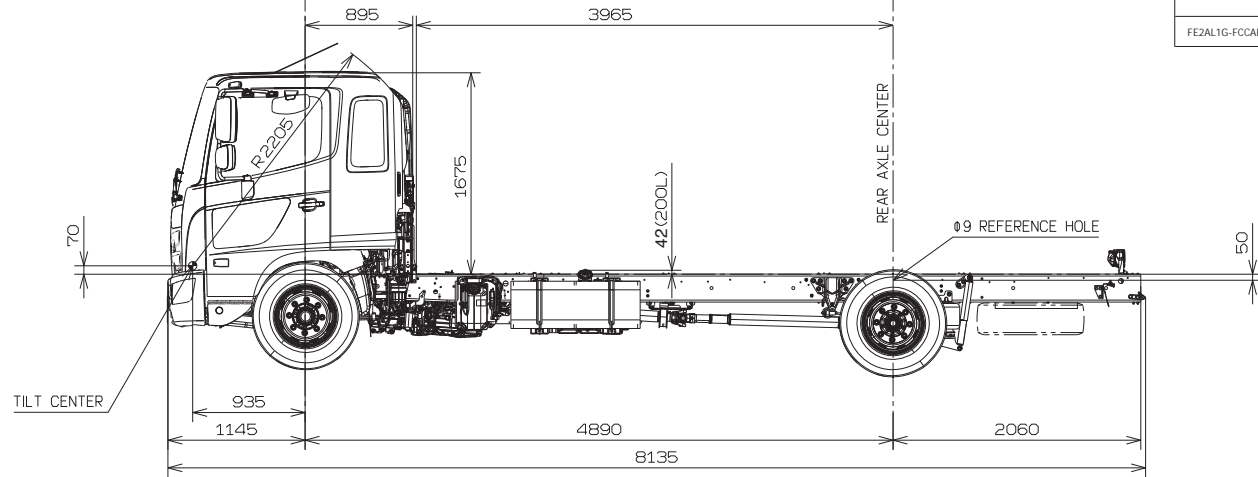
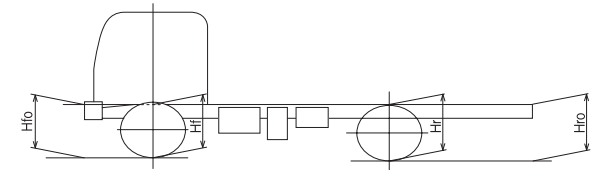
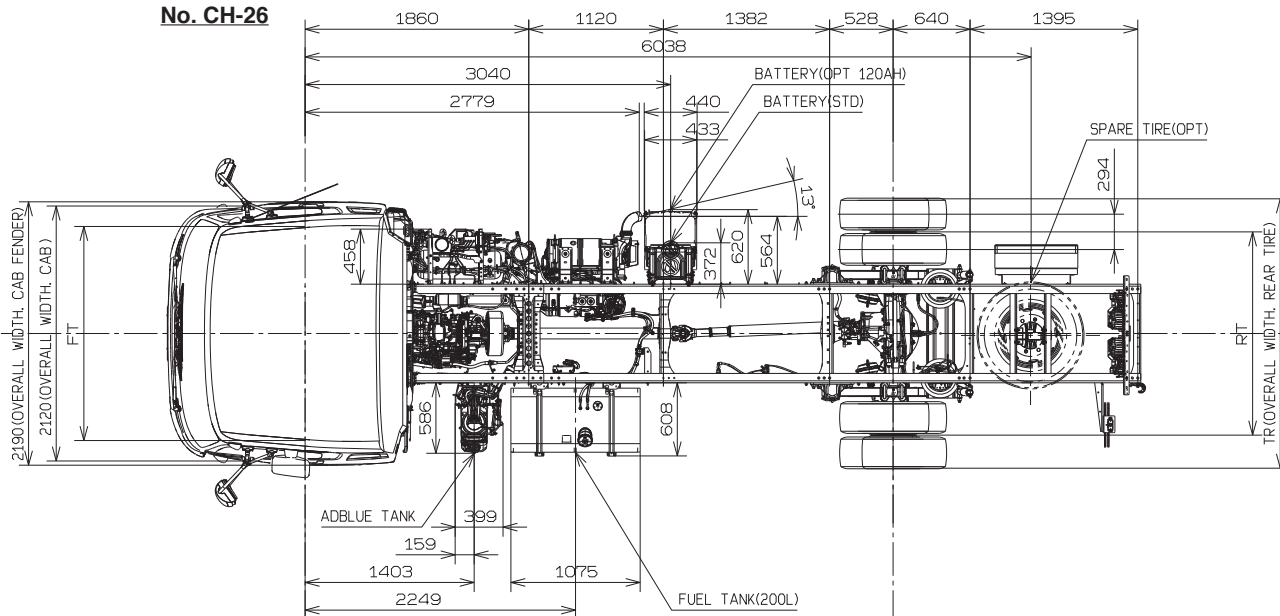
MODEL	TIRE	WHEEL	GROUND HEIGHT, FRAME UPPER SURFACE				FT	RT	TR
			H10	H1	H1	H10			
FE2AL1A-FCCAE	265/70R19.5 143/141J	19.5X6.75-147	800	820	925	965	1760	1690	2240
		19.5X6.75-147 ALLOY	800	820	925	965	1775	1710	2260

Unit : mm



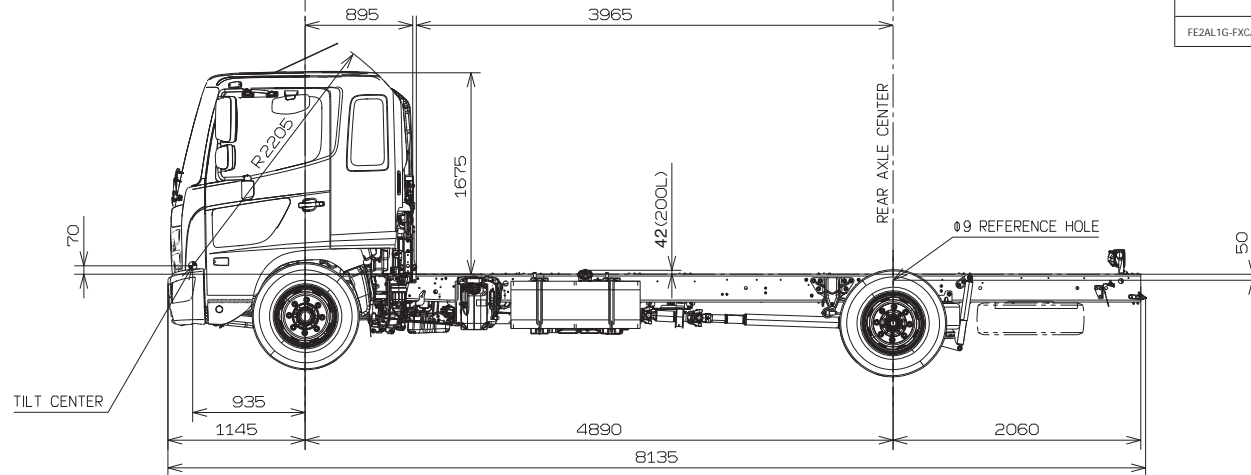
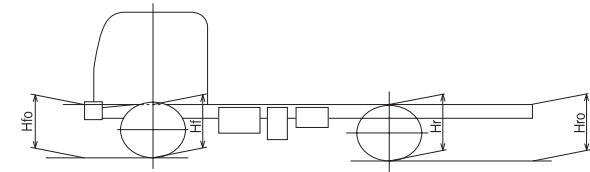
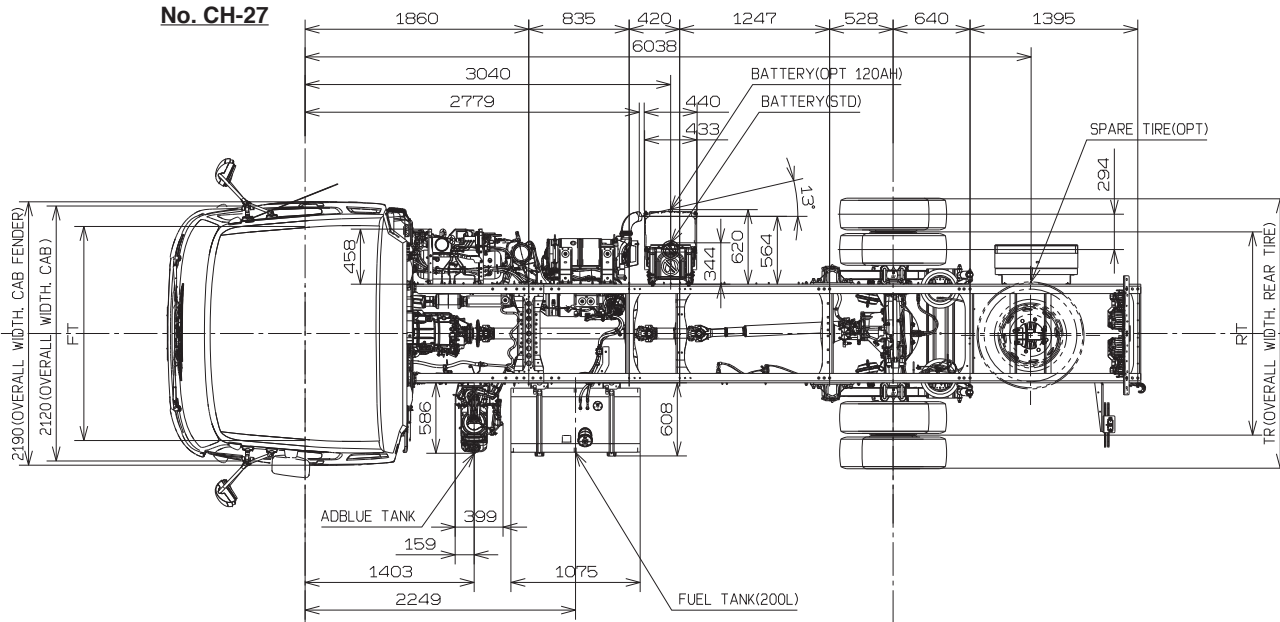
MODEL	TIRE	WHEEL	GROUND HEIGHT, FRAME UPPER SURFACE				FT	RT	TR
			H10	H1	H1	H10			
FE2AL1A-FXCAE	265/70R19.5 143/141J	19.5X6.75-147	800	825	925	965	1760	1690	2240
		19.5X6.75-147 ALLOY	800	825	925	965	1775	1710	2260

Unit : mm



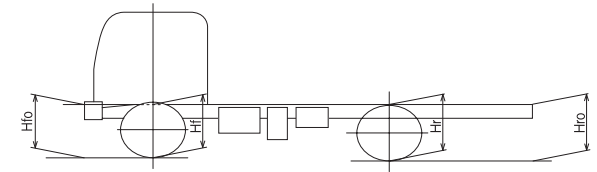
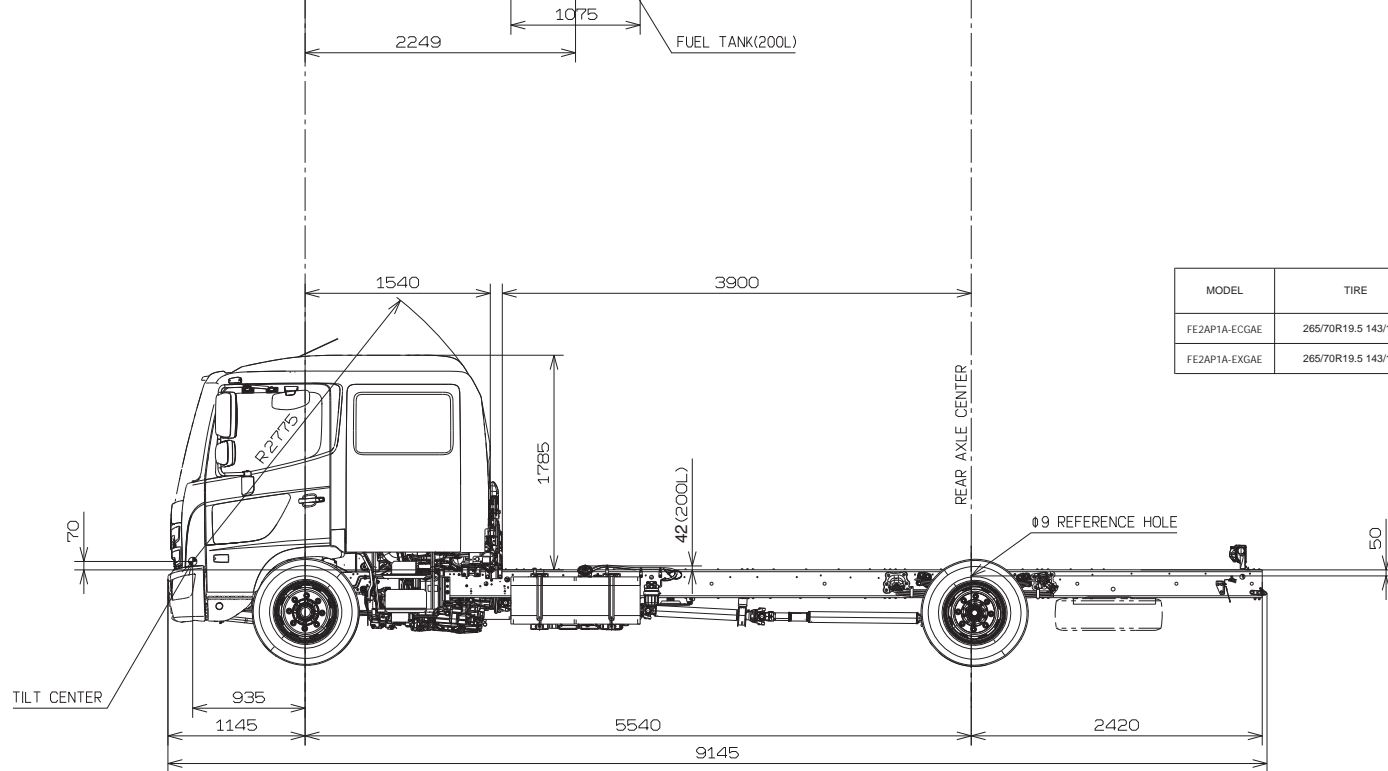
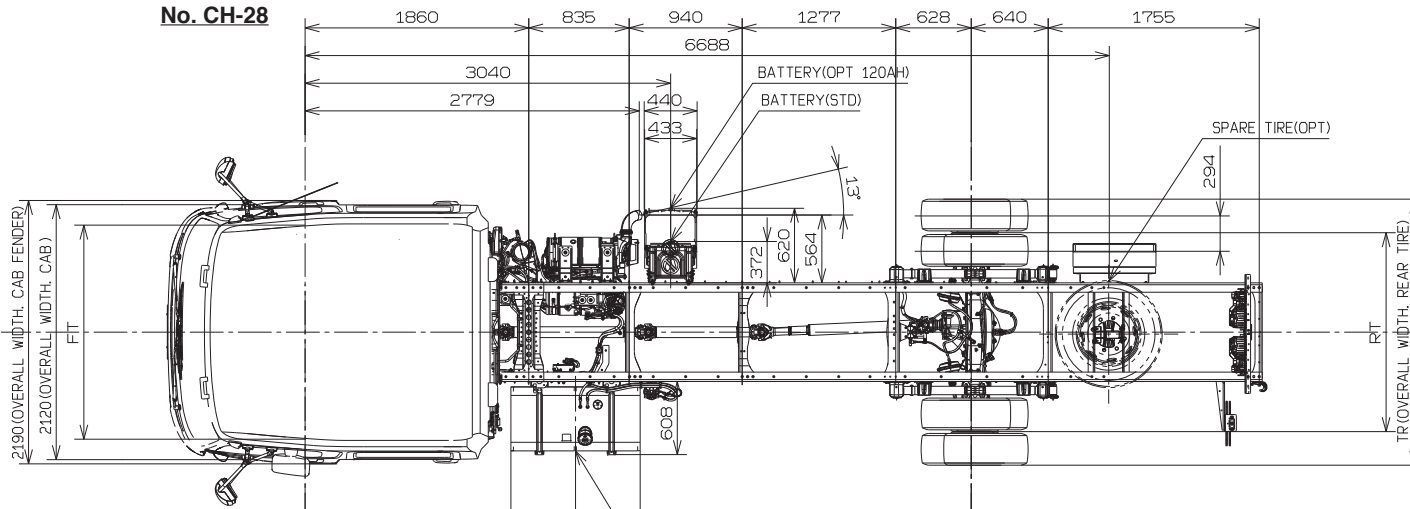
MODEL	TIRE	WHEEL	GROUND HEIGHT, FRAME UPPER SURFACE				FT	RT	TR
			H10	H1	H1	H10			
FE2AL1G-FCCAE	265/70R19.5 143/141J	19.5X6.75-147	815	820	840	850	1760	1690	2240
		19.5X6.75-147 ALLOY	815	820	840	850	1775	1710	2260

Unit : mm



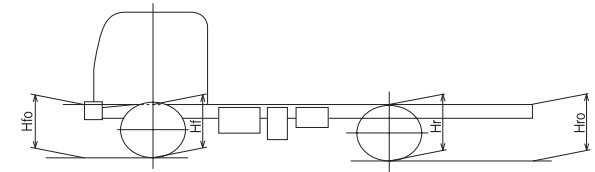
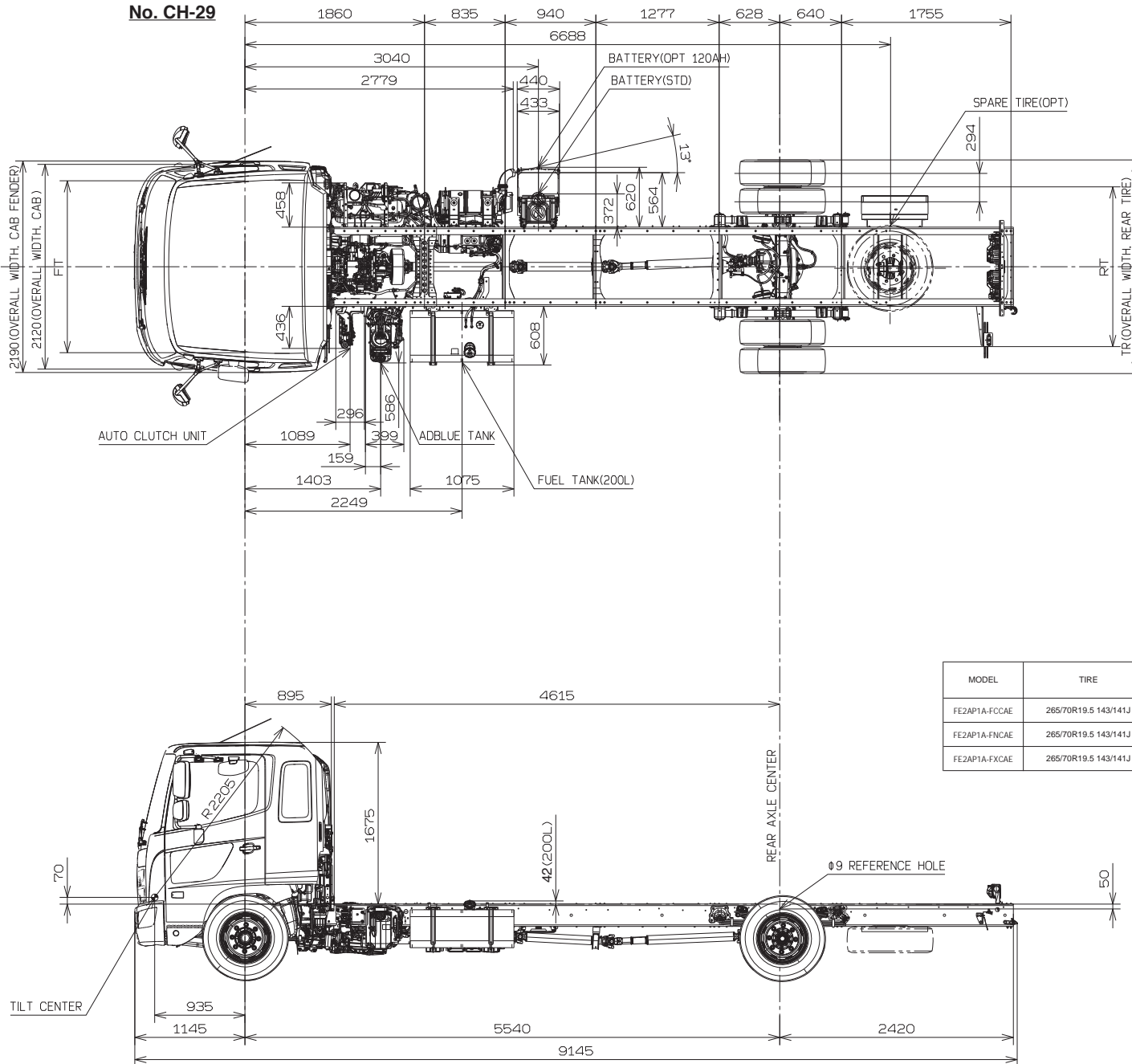
MODEL	TIRE	WHEEL	GROUND HEIGHT, FRAME UPPER SURFACE				FT	RT	TR
			H10	H1	H1	H10			
FE2AL1G-FXCAE	265/70R19.5 143/141J	19.5X6.75-147	820	820	840	845	1760	1690	2240
		19.5X6.75-147 ALLOY	820	820	840	845	1775	1710	2260

Unit : mm



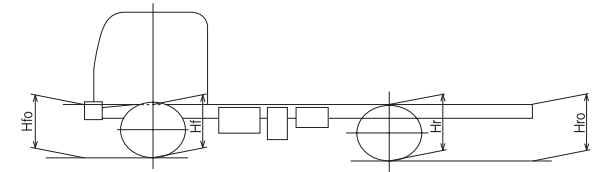
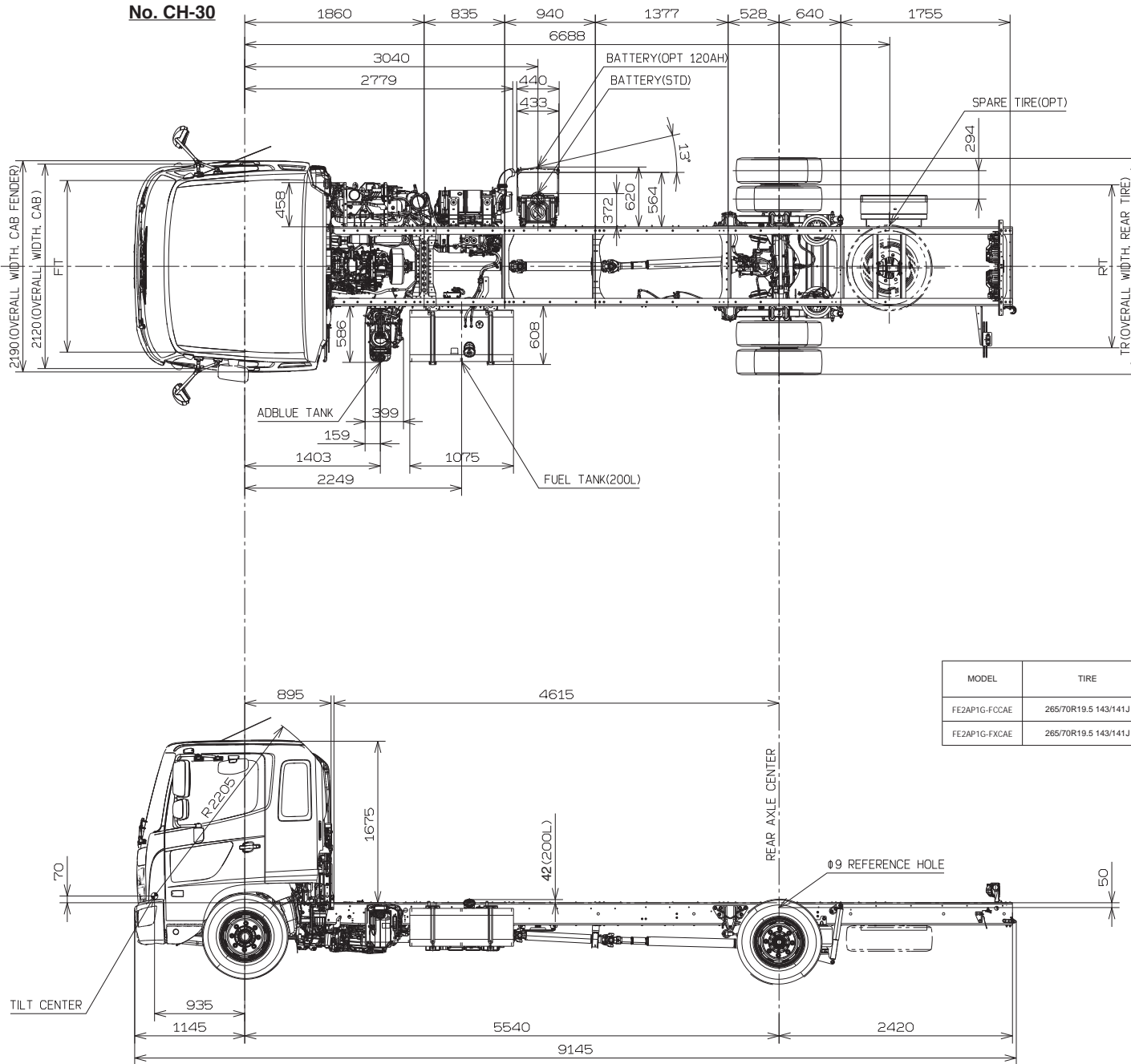
MODEL	TIRE	WHEEL	GROUND HEIGHT, FRAME UPPER SURFACE			H10	FT	RT	TR
			H10	H1	H1				
FE2A1A-ECGAE	265/70R19.5 143/141J	19.5X6.75-147	785	815	920	970	1760	1690	2240
		19.5X6.75-147 ALLOY	785	815	920	970	1775	1710	2260
		19.5X6.75-147	785	815	920	970	1760	1690	2240
FE2A1A-EXGAE	265/70R19.5 143/141J	19.5X6.75-147	785	815	920	970	1775	1710	2260
		19.5X6.75-147 ALLOY	785	815	920	970	1775	1710	2260

Unit : mm

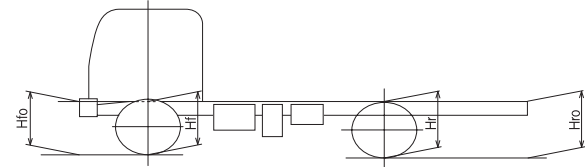
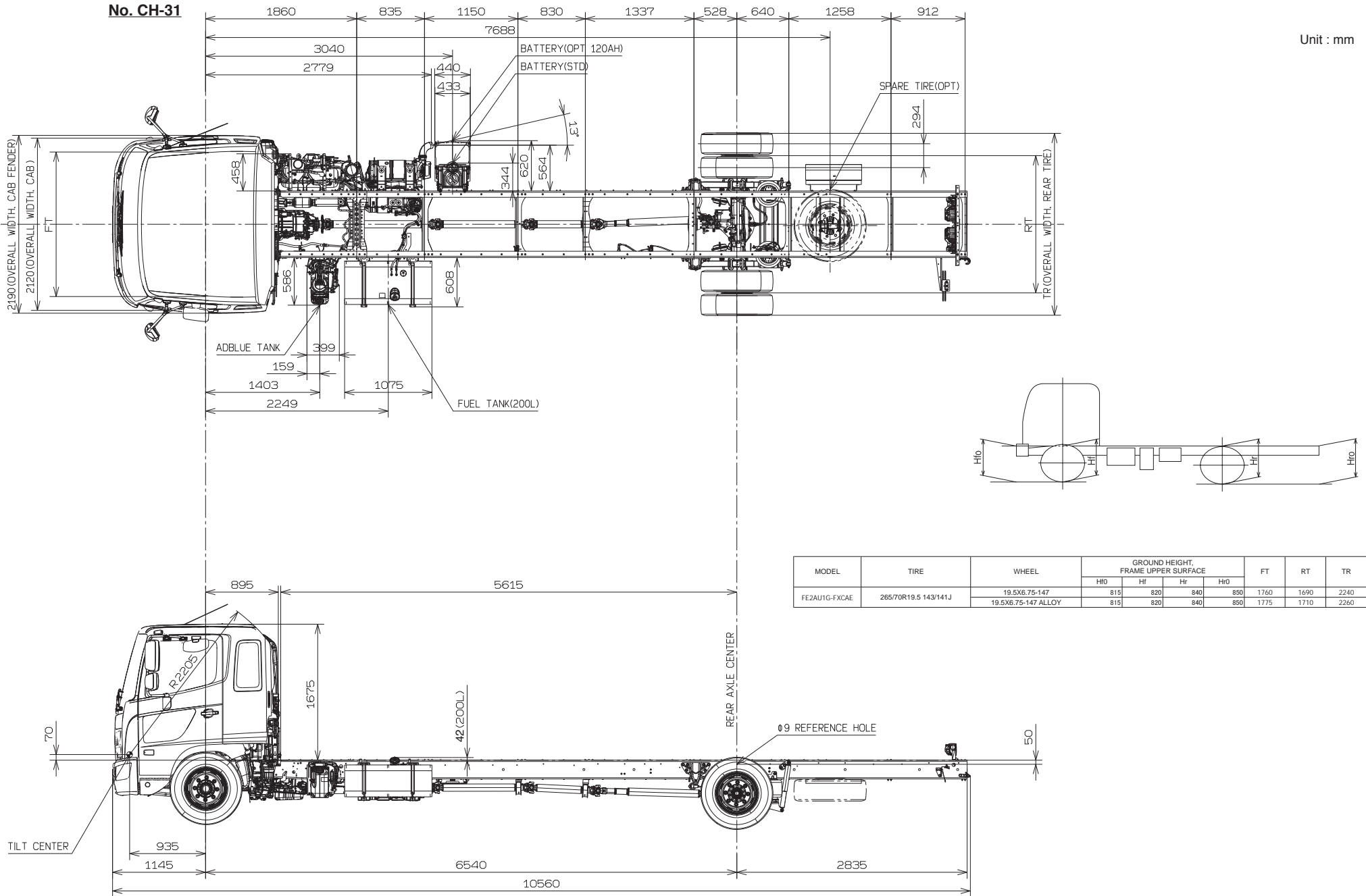


MODEL	TIRE	WHEEL	GROUND HEIGHT, FRAME UPPER SURFACE			FT	RT	TR	
			H10	H1	H1				
FE2AP1A-FCCAE	265/70R19.5 143/141J	19.5X6.75-147	800	820	920	965	1760	1690	2240
		19.5X6.75-147 ALLOY	800	820	920	965	1775	1710	2260
		19.5X6.75-147	800	820	920	965	1760	1690	2240
FE2AP1A-FNCAE	265/70R19.5 143/141J	19.5X6.75-147	800	820	920	965	1775	1710	2260
		19.5X6.75-147 ALLOY	800	820	920	965	1760	1690	2240
		19.5X6.75-147	800	820	925	965	1760	1690	2240
FE2AP1A-FXCAE	265/70R19.5 143/141J	19.5X6.75-147	800	820	925	965	1775	1710	2260
		19.5X6.75-147 ALLOY	800	820	925	965	1775	1710	2260

Unit : mm



MODEL	TIRE	WHEEL	GROUND HEIGHT, FRAME UPPER SURFACE				FT	RT	TR
			H10	H1	H2	H10			
FE2AP1G-FCCAE	265/70R19.5 143/141J	19.5X6.75-147	815	820	840	850	1760	1690	2240
		19.5X6.75-147 ALLOY	815	820	840	850	1775	1710	2260
		19.5X6.75-147	815	820	840	850	1760	1690	2240
FE2AP1G-FXCAE	265/70R19.5 143/141J	19.5X6.75-147	815	820	840	850	1775	1710	2260
		19.5X6.75-147 ALLOY	815	820	840	850	1775	1710	2260



MODEL	TIRE	WHEEL	GROUND HEIGHT, FRAME UPPER SURFACE				FT	RT	TR
			H10	H1	H1	H10			
FE2AU1G-FXCAE	265/70R19.5 143/141J	19.5X6.75-147	815	820	840	850	1760	1690	2240
		19.5X6.75-147 ALLOY	815	820	840	850	1775	1710	2260